

Residential Deck Drawings

A permit is required for any deck that is above grade level. This includes decks that have the bottom of the structure on the ground. Plans should include two copies of the deck construction drawings and lot plans with the deck drawn to scale and the distance to the property lines. To check the required setbacks please call the Zoning Administrator at 419-897-7074.

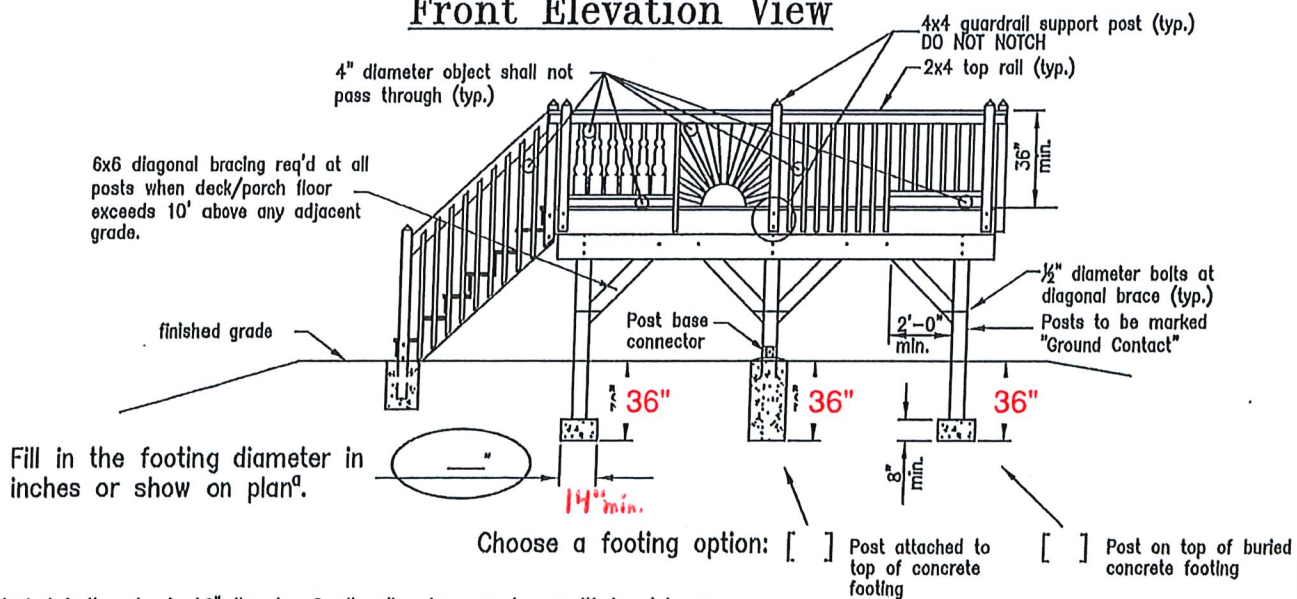
When applying for a permit to construct a deck, there are a few items that must be submitted for building and zoning compliance. These items need to appear on the drawings submitted with the application form for a permit. They are related to requirements in the 2019 Residential Code of Ohio. A copy of the code is available for reference at the Building Department Office. They are also on line at upcodesohio.com.

The information and details shown on the following sheets can be used as part of your permit plans for your deck. They are available as a guide to help you with detailing, and they can be used partially or in full.

General Notes

- All lumber shall be pressure treated No. 2 Southern Pine, or better.
- All metal fasteners & hangers shall be hot-dipped galvanized steel, stainless steel, G185 galvanized or otherwise compatible with the wood treatment. All bolts shall be 1/2" diameter minimum.
- All beam and top rail splices shall occur at a post or otherwise on adequate bearing.
- All footings shall be cast-in-place concrete with a min. 2500 psi compressive strength.
- Guards are required at all areas where the deck/porch floor is greater than 30" above grade for a distance of 3 feet measured from edge of deck.
- Required guards shall be 36" tall (min.) and be constructed such that a 4" diameter object will not pass through.
- Guard post spacing shall not exceed 6 ft. on center.
- Guards and handrails are required at all stairs that are greater than 30" above grade.
- The deck/porch floor shall be within 30" of the top of the door threshold.
- Live Load Deflection: Joists & Beams- L/360
Guards- L/240
- Design Loads: Floor Live Load - 40 lbs./sf (min.)
Wind Speed - 90 mph (Vult 115mph)
Soil Bearing Pressure - 1500 lbs./sf
- Guards shall be designed for a 200 lb. concentrated load placed along the top rail in any direction, at any point.
- This deck/porch is not designed for hot-tub or spa loading.
- All exterior stairs & associated landings shall be illuminated.
- Post size is based on the height of the deck floor above finished grade (at the highest point):
0' to 8' high: 4x4, 4x6, 6x6
8' and up: 6x6
- The actual field construction shall match the approved plans. All field changes and/or deviations require an Engineering Change approval.

Front Elevation View



a. The typical footing size is 16" diameter. Smaller diameters may be permitted and larger diameters may be required based on the actual deck framing layout.

Rev. 7/1/2019

Property Address: _____

Sheet No.

1 of 4

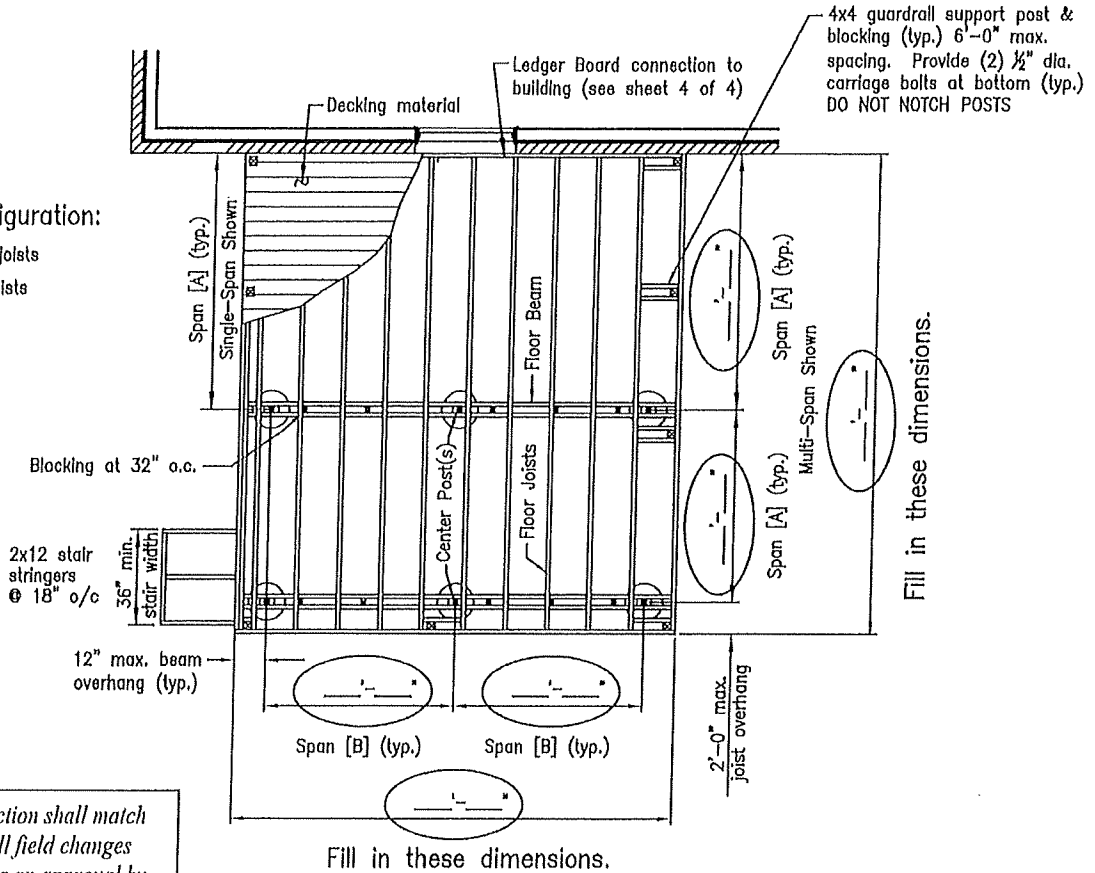
Application Number: _____

Residential
Deck Drawings

Foundation & Framing Plan

Choose a span configuration:

- Single-Span floor joists
- Multi-Span floor joists



The actual field construction shall match the approved plans. All field changes and/or deviations require an approval by the building department.

Framing Table

FLOOR JOISTS ¹			FLOOR BEAMS ²		
CHOOSE JOIST SIZE	LUMBER SIZE	MAX. SPAN [A]	CHOOSE ONE ROW	LUMBER SIZE	MAX. SPAN [B]
	(nominal)	(feet)		(nominal)	(feet)
[]	2 x 6	9'-0"	[]	(2) 2 x 6	5'-6"
			[]	(2) 2 x 8	7'-0"
			[]	(2) 2 x 10	8'-6"
			[]	(2) 2 x 12	10'-0"
[]	2 x 8	11'-10"	[]	(2) 2 x 8	6'-2"
			[]	(2) 2 x 10	7'-4"
			[]	(2) 2 x 12	8'-7"
[]	2 x 10	14'-0"	[]	(2) 2 x 10	6'-9"
			[]	(2) 2 x 12	8'-0"
[]	2 x 12	16'-6"	[]	(2) 2 x 12	7'-0"

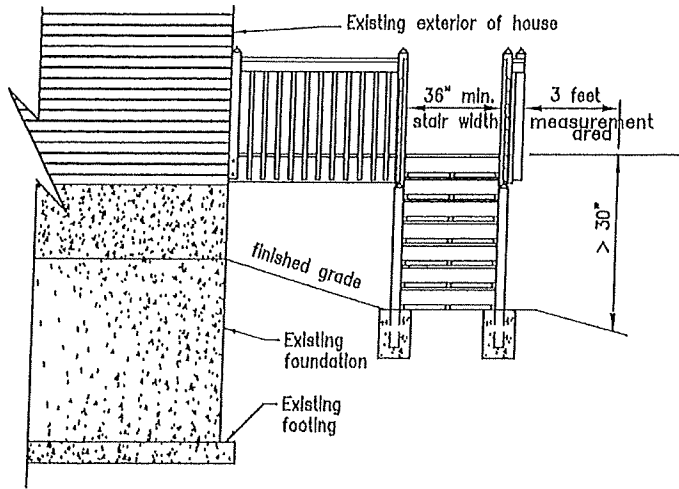
1. Choose one joist size with the associated maximum span. All joists are spaced a maximum of 16" O.C.
2. Choose one floor beam with the associated maximum span that corresponds with the size of joist chosen.

Application No. _____

Sheet No.
2 of 4

Residential
Deck Drawings

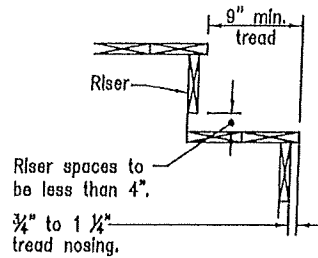
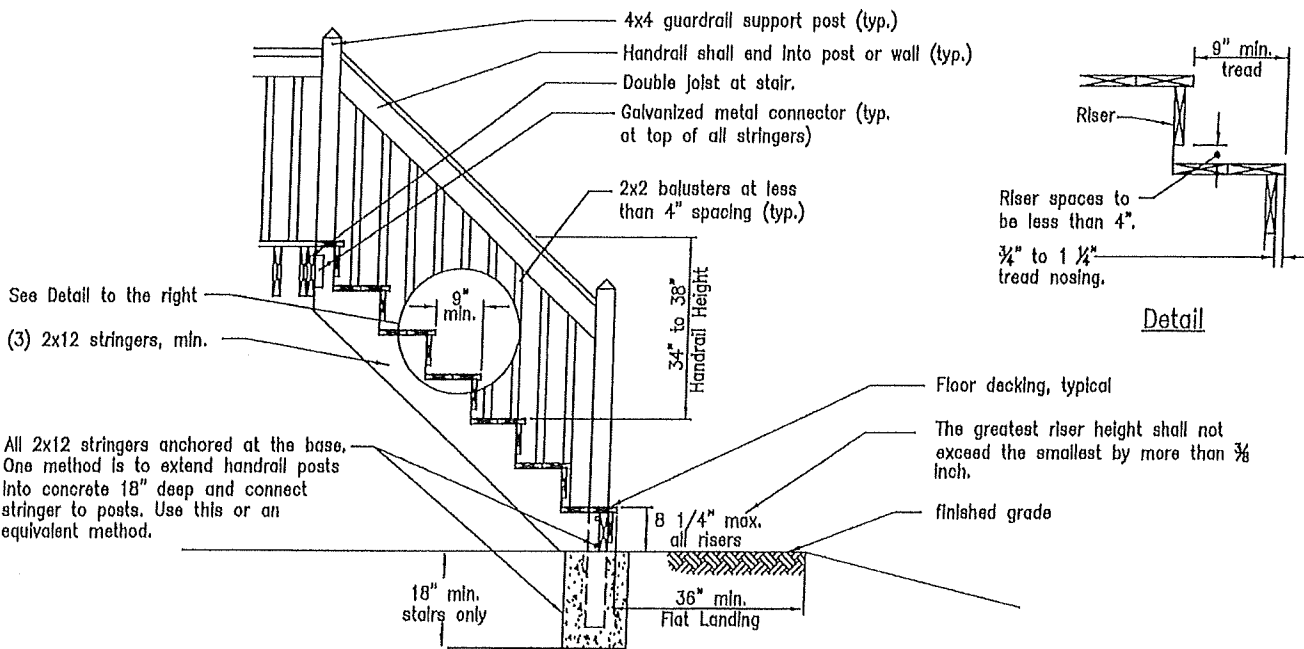
Left Side Elevation View



Min. 36" high guardrails required when deck surface is more than 30" above the adjacent grade for a distance measured 3 feet from edge of deck

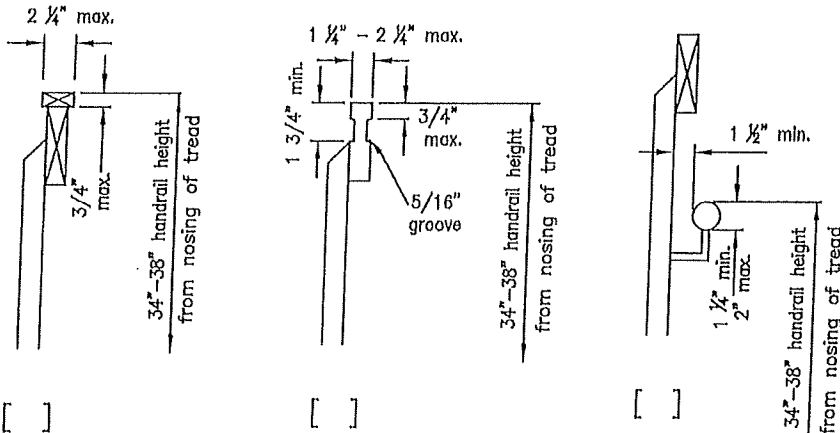
Fixed Seating shall be guarded Min. 36" high from seat upward

Stair Section View



Detail

Handrail Sections at Stairs



Choose a handrail grip style: [] [] []

Application No.

Sheet No.

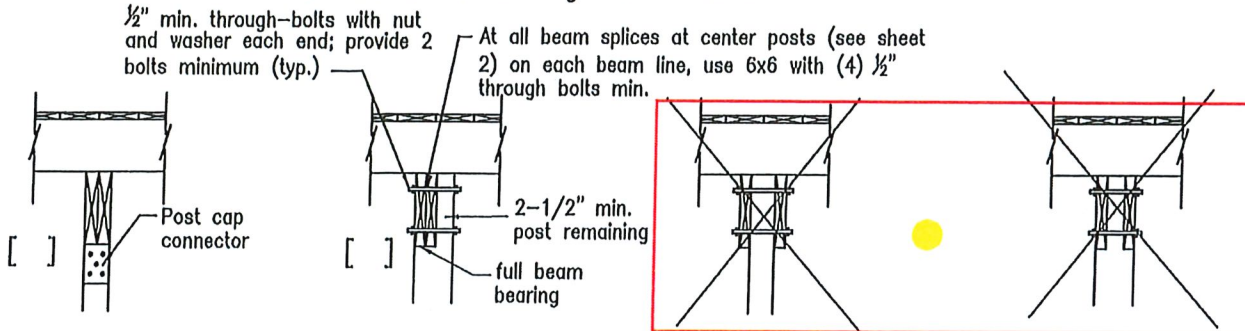
3 of 4

Residential Deck Drawings

Rev. 7/1/2019

Beam-to-Post Connection Details

Choose one beam-to-post connection option. Choose one post size based on the height of the deck.



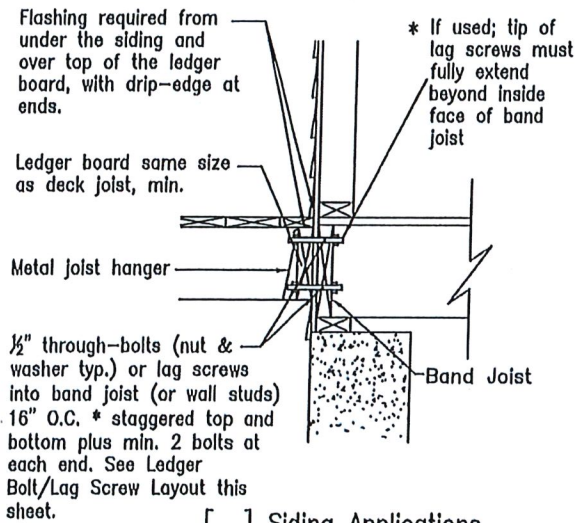
4x4 posts required up to 8'
 6x6 posts (req'd over 8')
 (6x6 posts required at beam splices)

4x6 posts (up to 8')
 6x6 posts (req'd over 8')
 (6x6 posts required at beam splices)

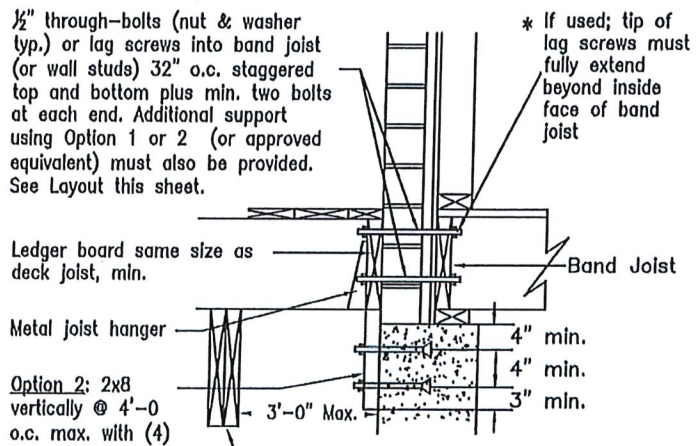
Details no longer permitted as of July 2019
 "Direct Bearing" required

Ledger Board Details

Choose the ledger board detail that applies.



Siding Applications



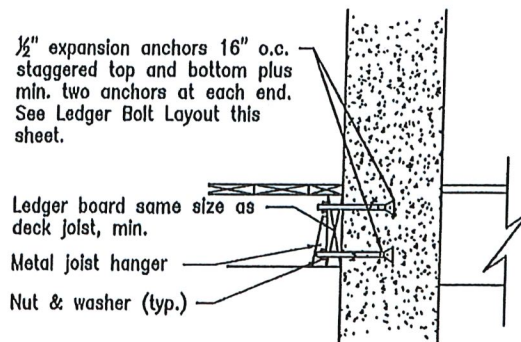
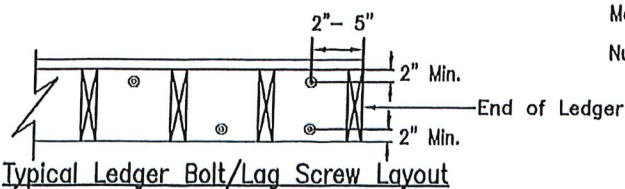
Brick Veneer Applications

Option 2: 2x8 vertically @ 4'-0" o.c. max. with (4) 1/2" exp. anchors, spaced 4" o.c. both directions DO NOT BLOCK WEEPHOLES

Option 1: Install additional post and beam line (Per details at top of this sheet) parallel to foundation as shown on Sheet No. 2 Framing Table, within 3 feet of house wall

* 1/2" Lag screws with 16" O.C spacing can be used for 10 feet max. joist spans. For longer joist spans, the maximum spacing shall be as follows in the joist span table below.

* Joist Span/Lag Screw Fastener Spacing			
10'-1" to 12'	12'-1" to 14'	14'-1" to 16'	16'-1" to 18'
15"	13"	11"	10"



Concrete Applications

Application No.
 Sheet No.
 4 of 4
 Residential Deck Drawings